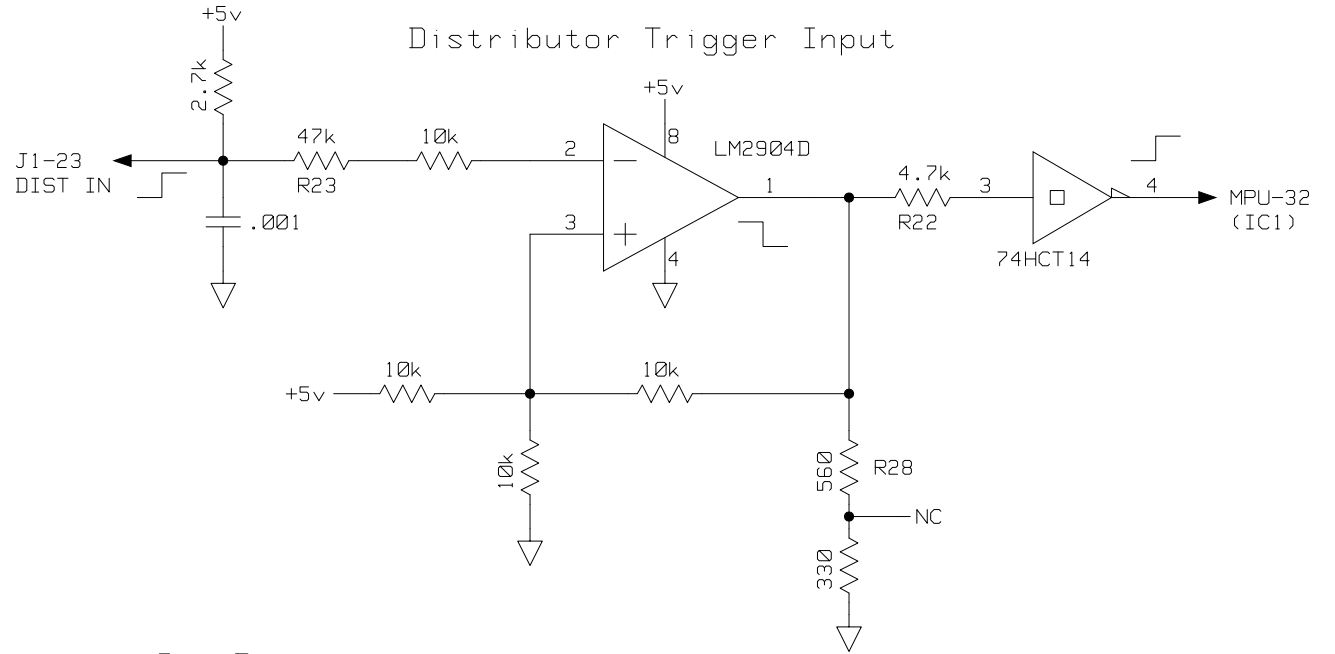
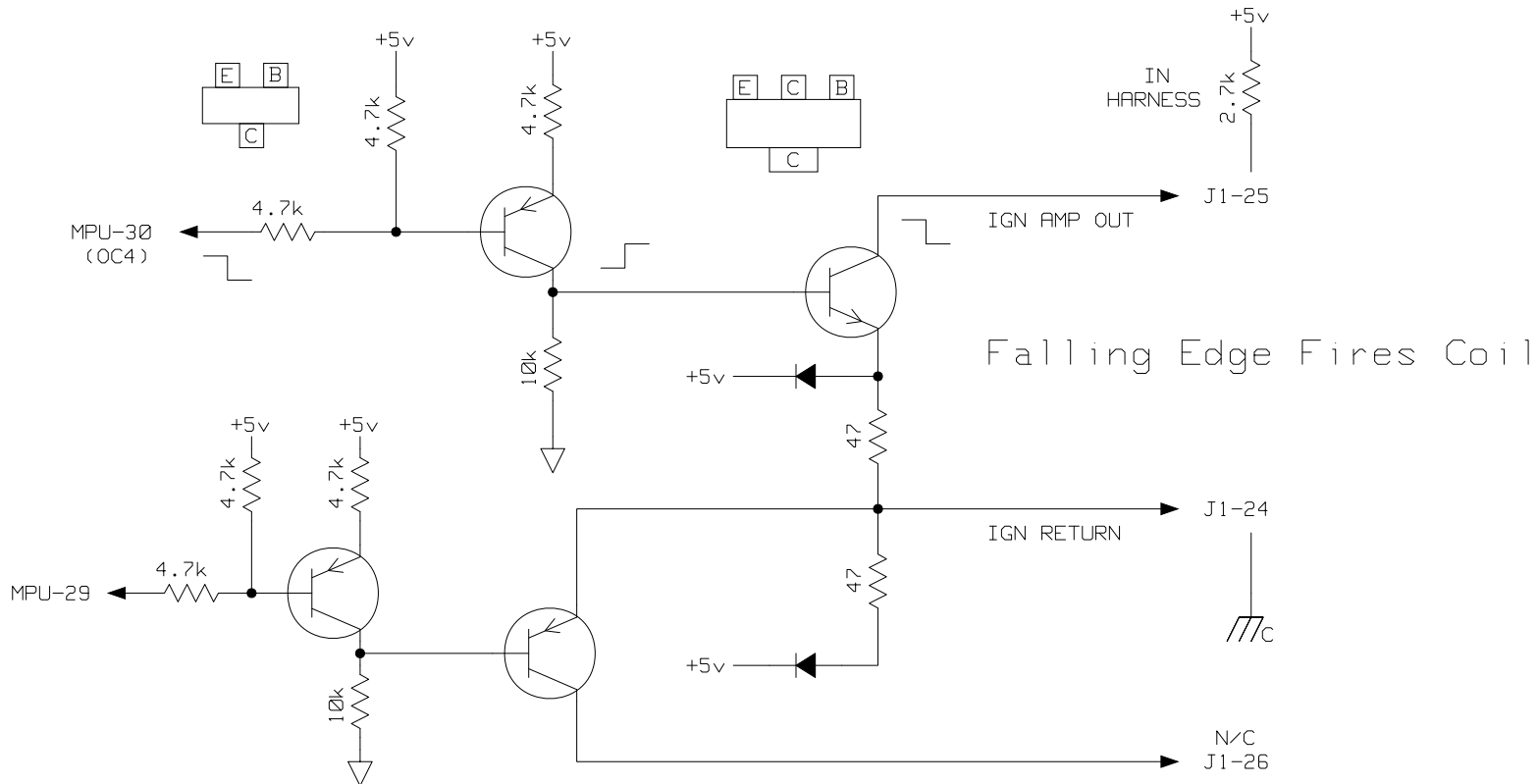


Distributor Trigger Input



Ignition Amp Driver



Falling Edge Fires Coil