

VOLU-trol /F – STAINLESS STEEL

CIRCULAR CONFIGURATION

FAN-E STATION WITH ELECTRONIC DAMPER ACTUATOR

STANDARD CONSTRUCTION

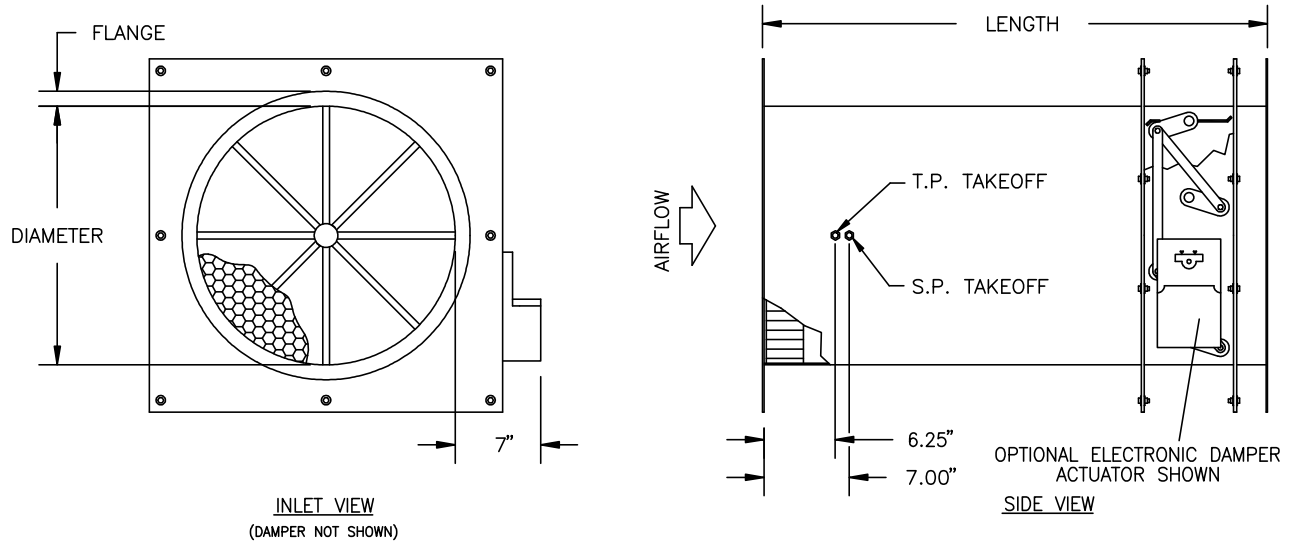
<p>Casing. Flanges. Air Equalizer and Straightener. Total & Static Pressure Header. Operating Temperature. Connection Fittings. Damper Blades. Damper Bearings. Damper Linkage.</p>	<p>18 gauge Type 304 stainless steel, spot welded casing seams. 1" flange, 14 gauge Type 304 stainless steel, fusion welded to the casing. Type 304 stainless steel. 3" deep x 1/2" cell. Type 316 stainless steel. Continuous operation to 120°F. 1/4" stainless steel compression type. 18 gauge Type 304 stainless steel. Nylon. Mechanical linkage (12 gauge galvanized steel).</p>
--	---

OPTIONAL CONSTRUCTION

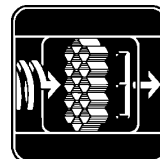
Damper Actuator.

- Manual quadrant.
- Direct coupled, fail in position, modulating electronic actuator, 2-10VDC or 4-20mA control signal. Requires 24VAC power supply.
- Pneumatic actuator with pilot positioner, 8-13 psig control signal. Fail Open Fail Close
- Pneumatic actuator with pilot positioner and E/P (200 SCIM), 2-10VDC or 4-20mA control signal. Requires 24VAC power and 20 psig instrument air. Fail Open Fail Close

DIMENSIONAL SPECIFICATIONS



<u>VOLU-trol DIAMETER</u>	<u>LENGTH</u>
8", 10", 12"	20"
14", 16", 18", 20", 22"	24"



AIR MONITOR CORPORATION

P.O. Box 6358 • Santa Rosa, CA 95406 • (707) 544-2706 • (707) 526-2825 Fax