

4

3

2

1

D

C

B

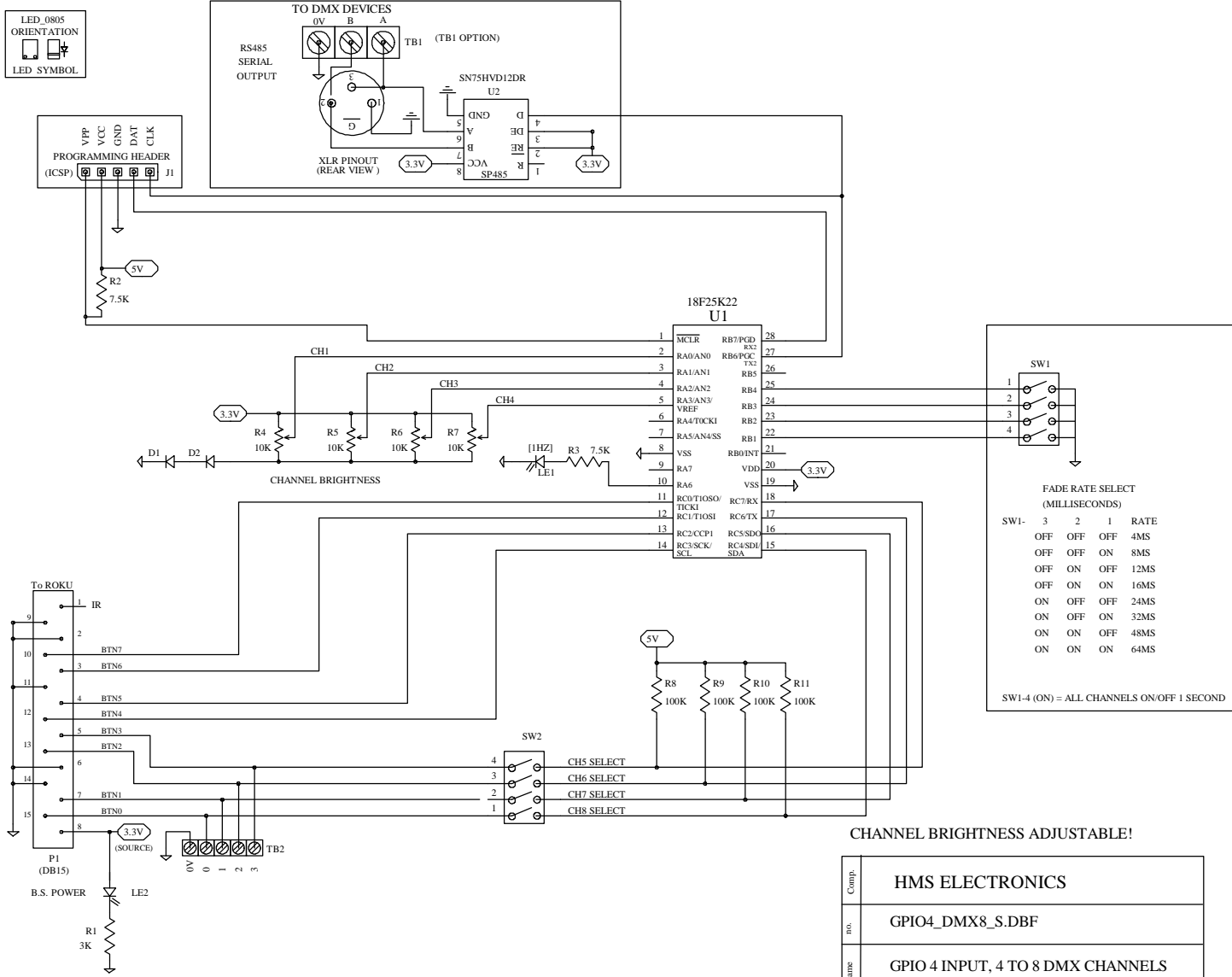
A

D

C

B

A



Comp.	HMS ELECTRONICS	
no.	GPIO4_DMXX_S.DBF	
name	GPIO 4 INPUT, 4 TO 8 DMX CHANNELS	
Org	03-24-2017	Rev 1
Engineer	Richard Harkey	HMS Electronics