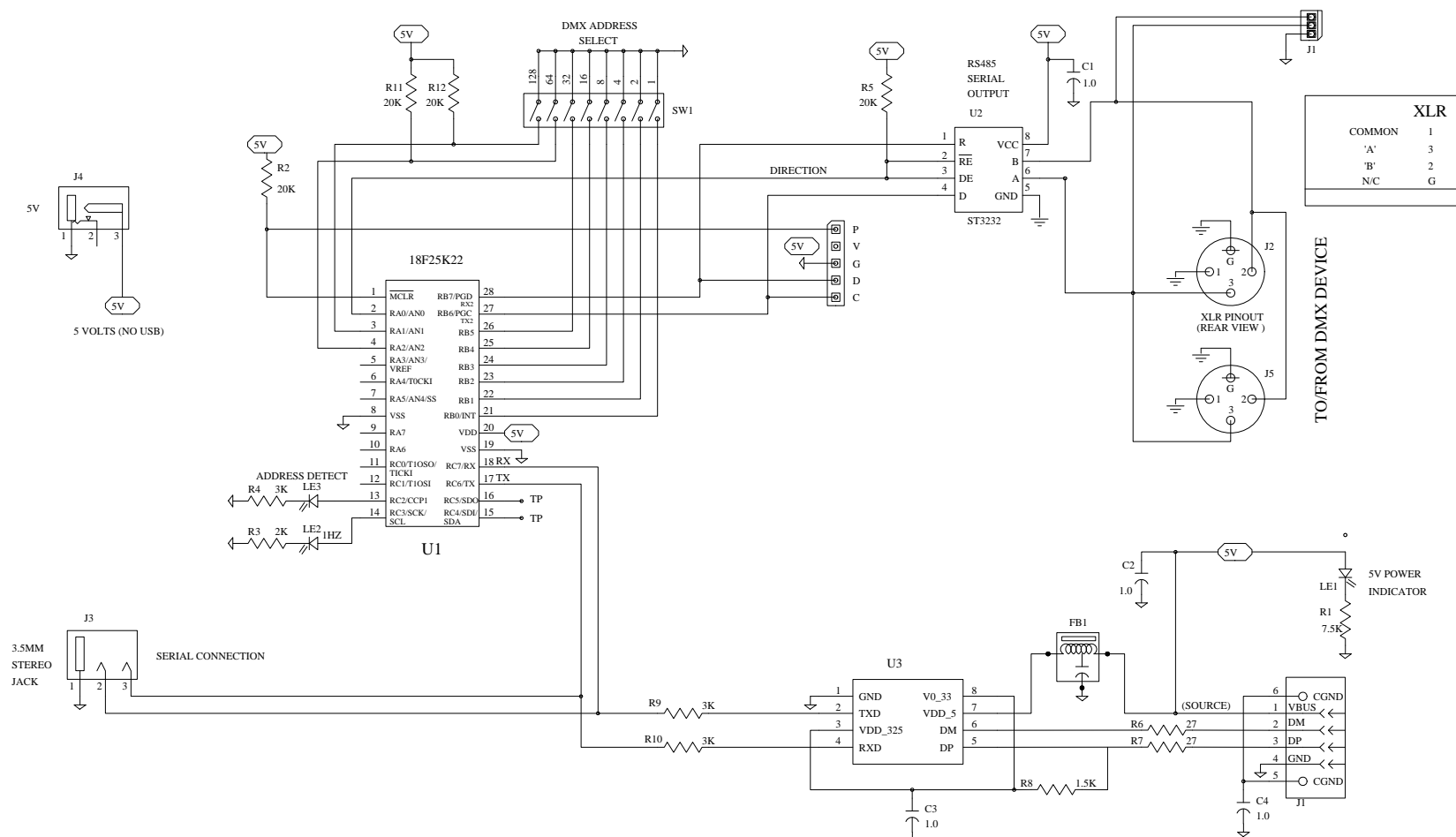


This is a DMX Receiver unless otherwise specified!



Comp.	HMS ELECTRONICS	
no.	USB_S3_485X_S.DBF	
name	DMX RECEIVER	
Org	10-20-18	Rev 1.0
Engineer	Richard Harkey	HMS Electronics