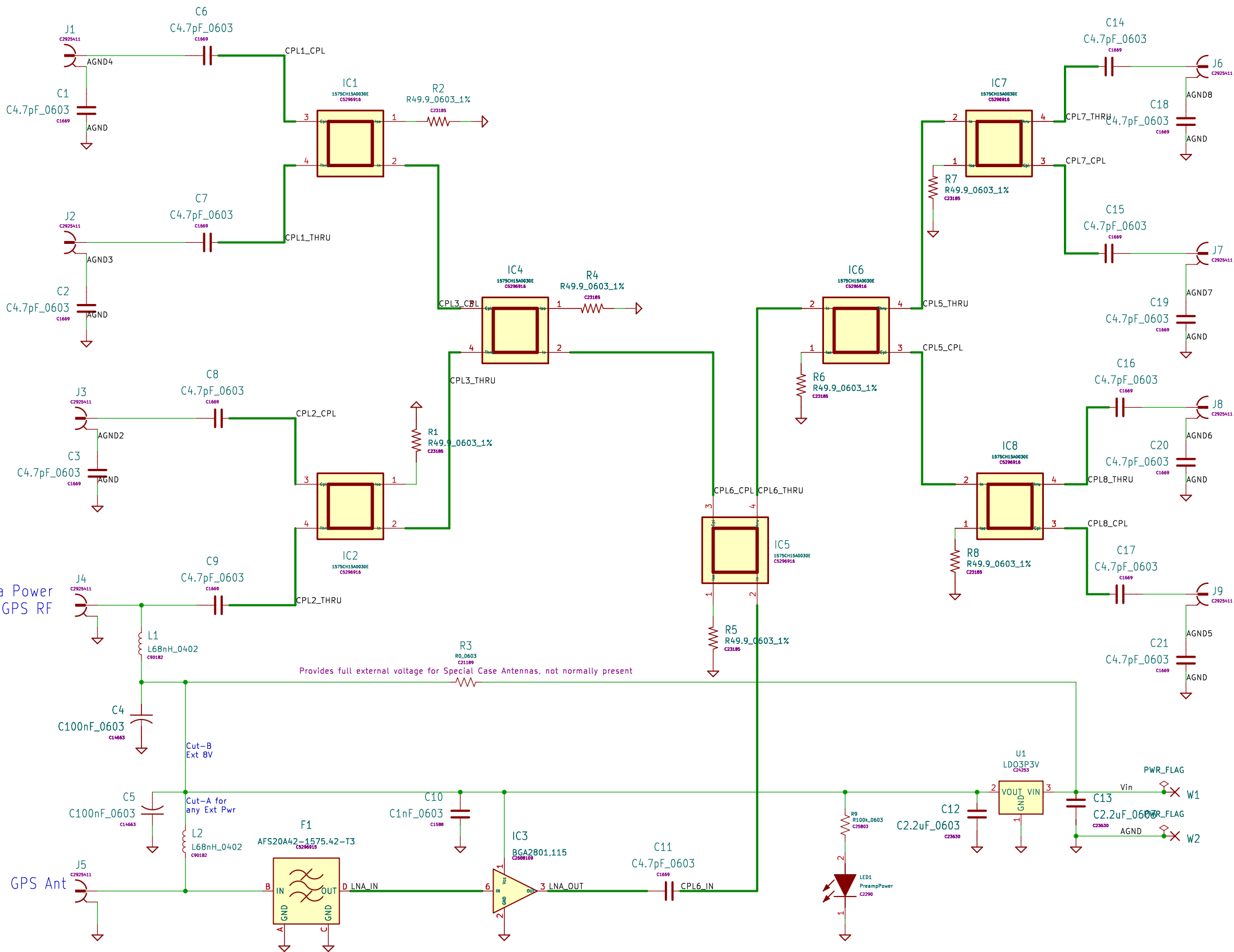


Antenna Power & GPS RF



Glenn Elmore n6gn

Sheet: /
File: GPS1.4.kicad_sch

Title: Isolating GNSS Distribution

Size: User Date: 2024-01-19
KiCad E.D.A. kicad 7.0.10-7.0.10-ubuntu22.04.1

Rev: 1.4
Id: 1/1